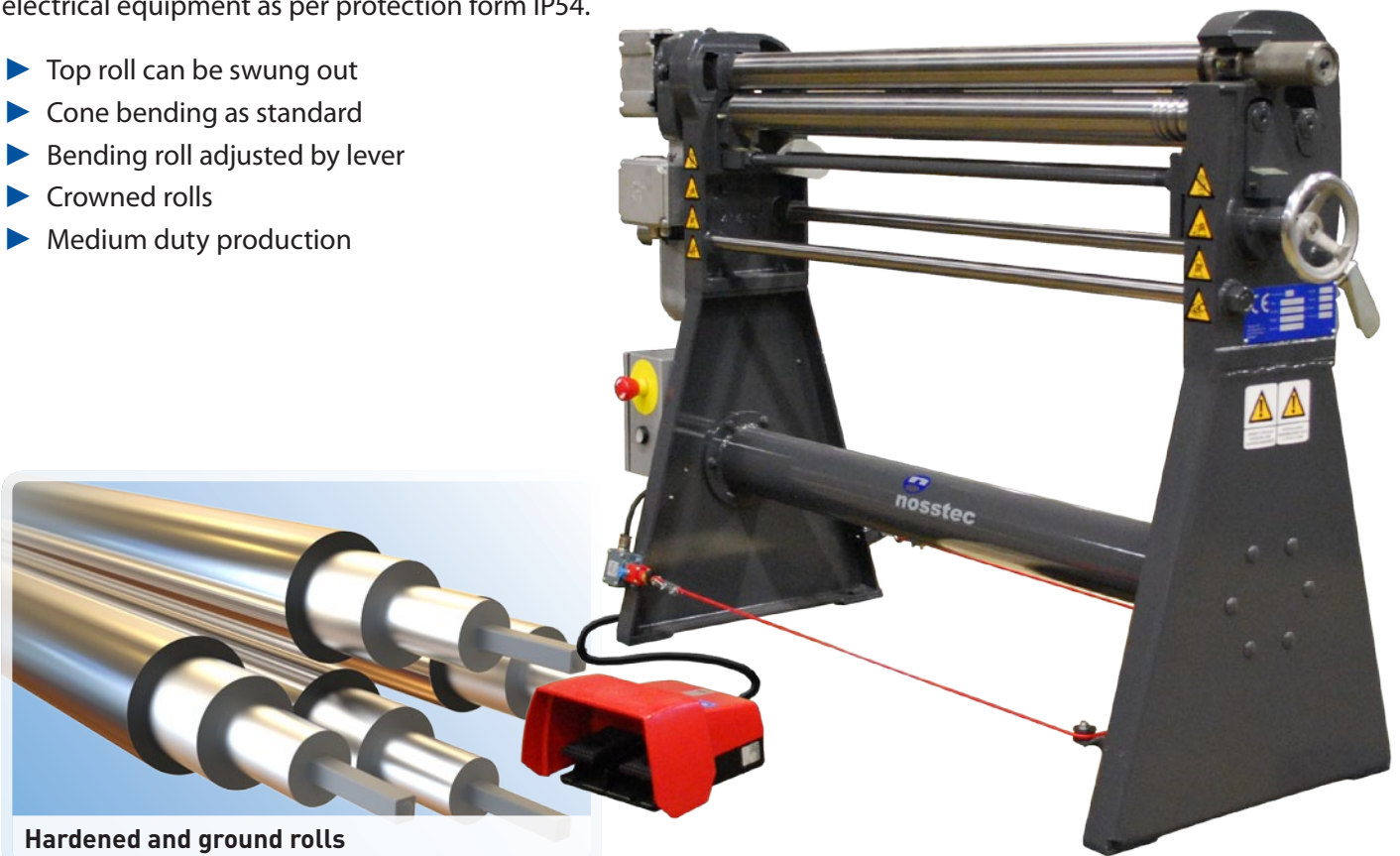
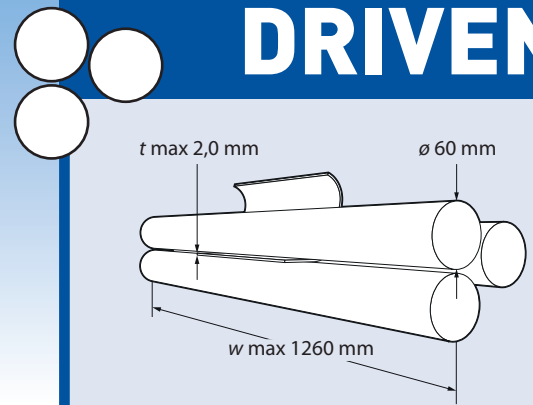


# BENDING ROLL MACHINE 4135

A motor-powered machine with crowned rolls. The lower roll is adjusted by a handwheel. The lower and rear rolls have four different slots for the bending of wire. 4135 is delivered complete with motor 400V 3-phase, stand as well as foot-operated forward/reverse switch with protective casing. The electrical equipment as per protection form IP54.

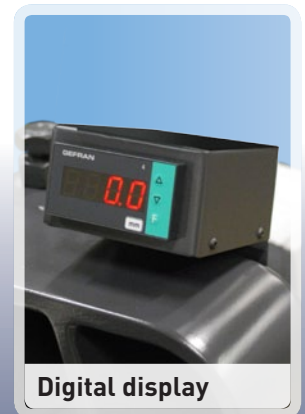
- ▶ Top roll can be swung out
- ▶ Cone bending as standard
- ▶ Bending roll adjusted by lever
- ▶ Crowned rolls
- ▶ Medium duty production

**DRIVEN**



**Hardened and ground rolls**

Art.no.	4135	-0620	-1015	-1212	-1508
Capacity		6/20	10/15	12/12	15/08
Working length ( <i>w</i> )	mm	675	1010	1260	1510
Max sheet thickness (400N/mm <sup>2</sup> ) ( <i>t</i> )	mm	2,0	1,5	1,25	0,8
Diameter of rolls ( $\varnothing$ )	mm	60	60	60	60
Motor rating	kW	0,5	0,5	0,5	0,5
Net weight	kg	180	215	255	295
<b>OPTIONS:</b>					
Hardened and ground rolls	413577	-0620	-1015	-1212	-1508
Digital readout	4135	-4002	-4002	-4002	-4002
Frequency inverter	4135	-0604	-0604	-0604	-0604



Nosstec AB, Kristineholmsvägen 12, 441 39 Alingsås, SWEDEN

Tel: +46 (0)512 - 298 85 • Fax: +46 (0)512 - 298 89 • E-mail: info@nosstec.se • Web: www.nosstec.se

For copyright reasons all reproduction and copying of the texts, photos, tables and illustrations is prohibited without written permission from Nosstec AB.